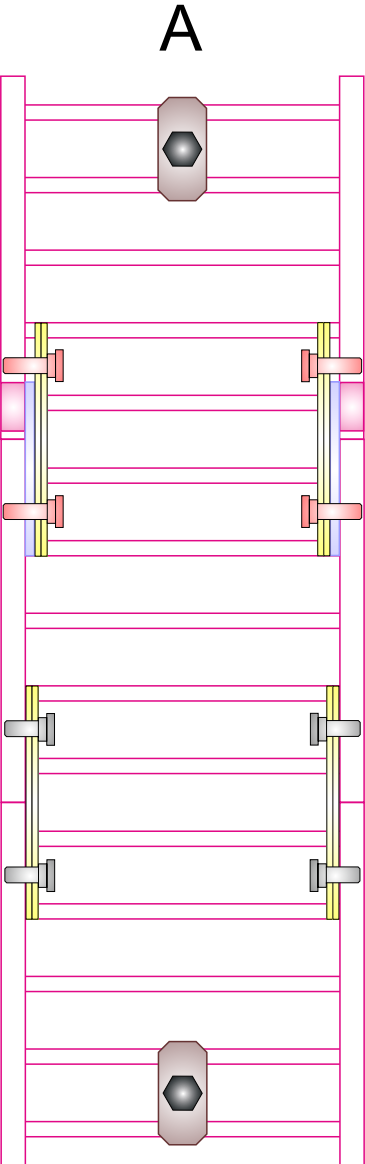
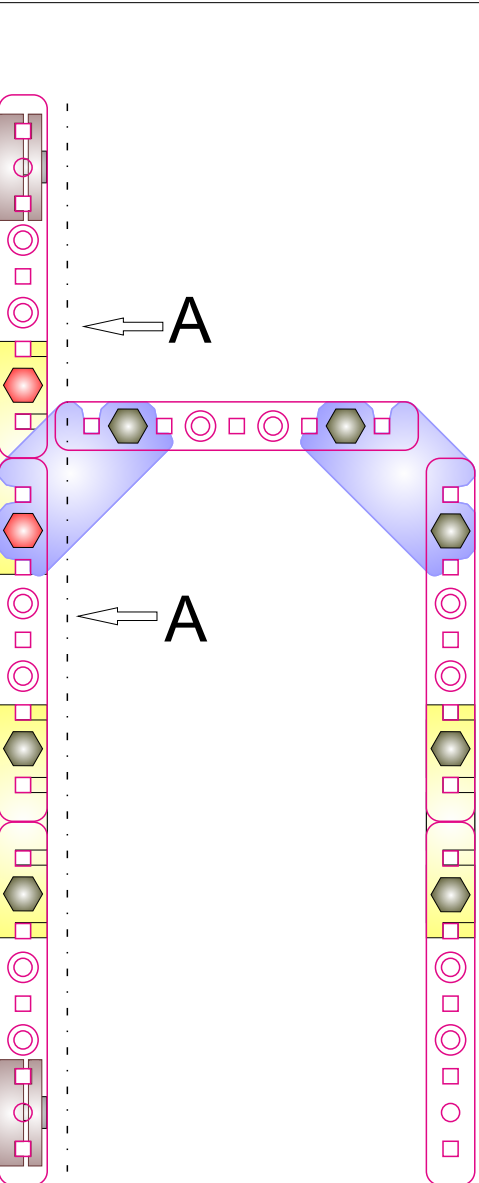
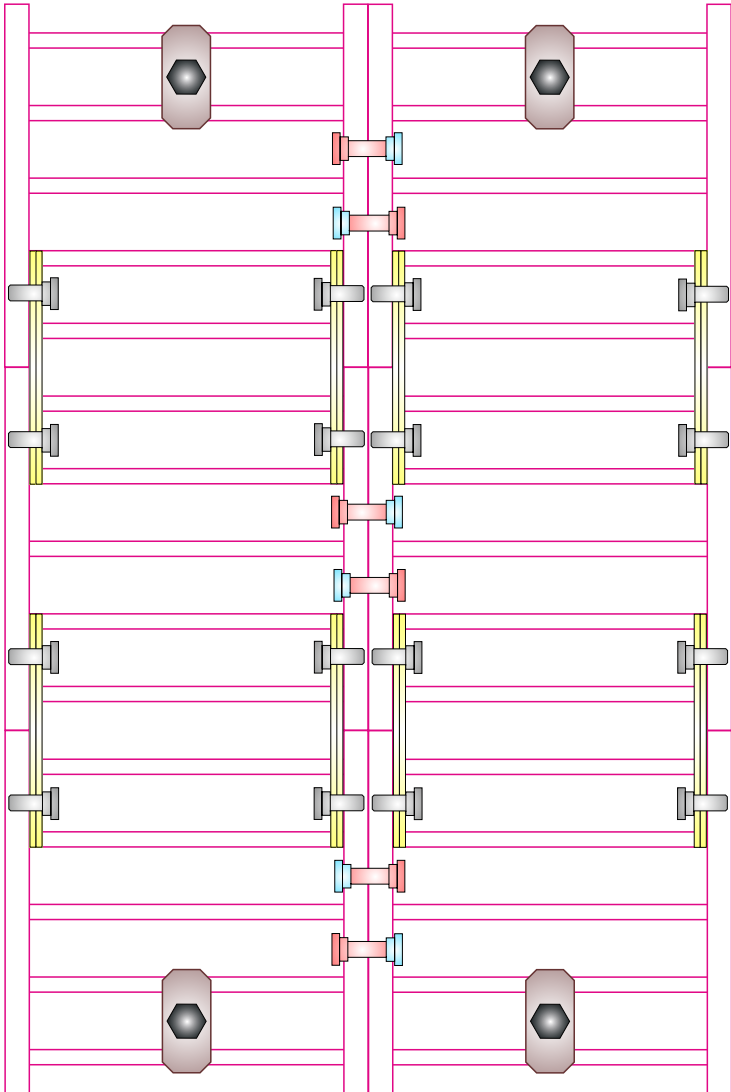


# Construction 1



# Construction 2



Monkey wall		
Panel		6
E1		8
T2		4
W1		4
		16
		6
		6